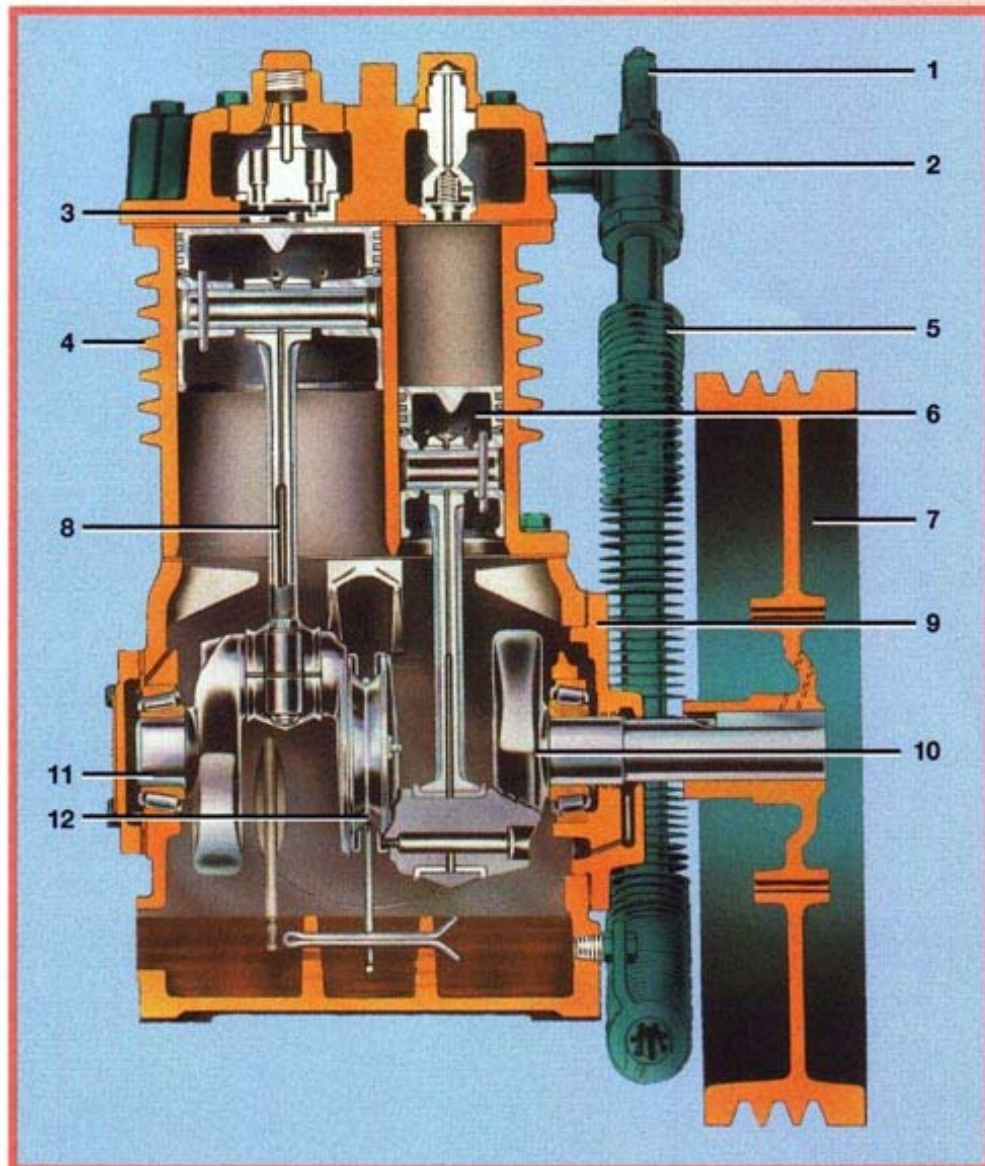


THE BETTER BUILT COMPRESSOR

LOOK AT THESE CONSTRUCTION FEATURES



- 1) **INTERCOOLER RELIEF VALVE** - prevents excessive pressure in the low pressure cylinder and intercooler, protecting pump and motor
- 2) **LOADLESS STARTING** - with centrifugal, suction valve, or bleeder type unloader
- 3) **STAINLESS STEEL DISC AND SPRING VALVE ASSEMBLIES** - largest in the industry, ground and lapped to optical flatness for quiet and efficient operation
- 4) **DEEP FINNED CYLINDERS** - permit better cooling
- 5) **INTERCOOLER** - extra long with radiating fins located in the cyclone of air from the flywheel, providing maximum heat dissipation
- 6) **CAST IRON HIGH PRESSURE PISTONS** - for durability and long life
- 7) **BALANCED FLYWHEEL** - provides effective air blast to cool compressor
- 8) **HEAVY DUTY CAST IRON CONNECTING RODS** - heaviest in the industry with replaceable rod bearings and pin bushings
- 9) **CAST IRON CRANKCASE** - for strength and durability
- 10) **HEAVY DUTY DUCTILE IRON CRANKSHAFT** - ground and counter balanced with rifle-drilled oil flow ports

- 11) **OVERSIZED TAPERED MAIN ROLLER BEARINGS** - adjustable to assure long life with less friction
- 12) **PRESSURE LUBRICATION** - with our centro-ring oiling system, pressurized oil is supplied internally through rifle-drilled crankshaft and rods to all bearings, bushings, and wearing surfaces for extended pump life

CURTIS Masterline Compressors are built stronger to last longer.

OPTIONAL EQUIPMENT

We can customize your Curtis compressor to meet your air system requirements

Take a look at our
"MASTER PACKAGE"
options



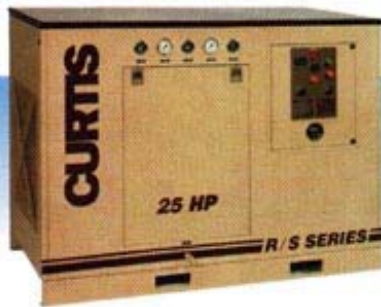
CV-9814B

- ◆ Air-cooled or water-cooled aftercooler
- ◆ Magnetic motor starter
- ◆ Dual control
- ◆ Low oil level switch
- ◆ Automatic tank drain
- ◆ Tank isolator pads

Add a Curtis Dri-Plus Series Refrigerated Air Dryer to complete your air system.

with all the features you need

OTHER QUALITY CURTIS PRODUCTS



Rotary Screw Compressors
5 - 200 Horsepower



Large Industrial Compressors
30 - 125 Horsepower



Oil-Less Compressors
3 - 10 Horsepower



Curtis maintains a modern 140,000 square foot production facility in St. Louis, Missouri, as well as facilities in Buffalo, New York and San Diego, California. All phases of production, from design and engineering to final assembly and shipping, are carefully scrutinized and reviewed. Computerized production techniques are utilized to meet the hundreds of customer specified compressor package configurations.

Copyright © 1998 Curtis-Toledo, Inc.

No part of this flyer may be reproduced or processed in any form or means, electronic or mechanical, including photocopying, xerography, printing or information storage and retrieval systems, without written permission from Curtis-Toledo, Inc.

Form No. ML8950-1-

CURTIS *The Symbol of Quality
& Excellence Since 1854*

Distributed by

Curtis-Toledo • 1905 Kienlen Ave • St. Louis, Missouri 63133
See us at our website - www.curtistoledo.com E-mail us at - curtiscomp@aol.com